

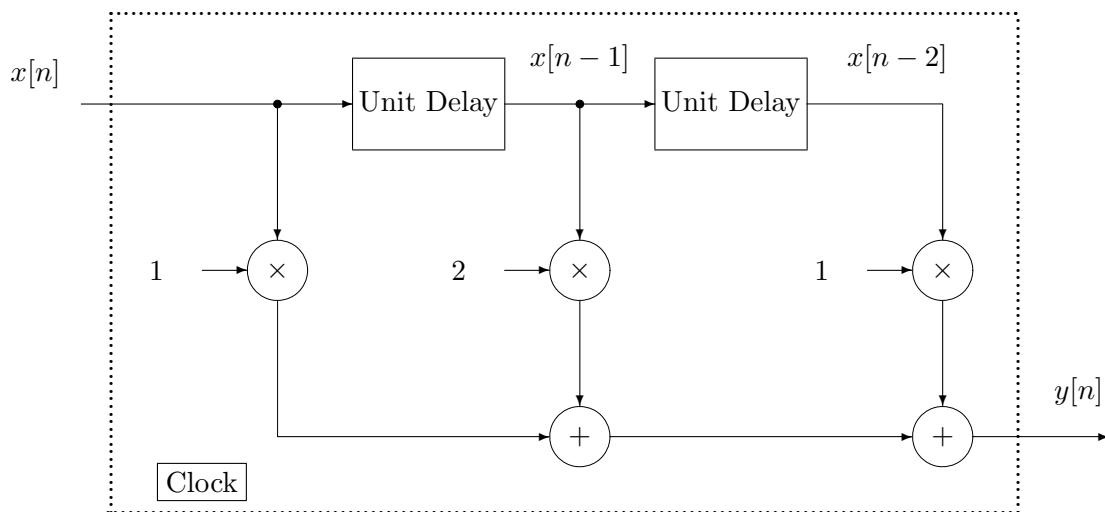
This homework set is for practise for the exam. You do not have to hand in your work.

Relevant reading: Chapter 5.4

1. Draw two different implementations (block diagrams) of the following filter

$$y[n] = \frac{1}{4}x[n] + \frac{1}{2}x[n-1] + \frac{1}{4}x[n-3].$$

2. Answer for the LTI filter given below.



- (a) Find the impulse response.  
 (b) Find the response  $y[n]$  to the following input.

